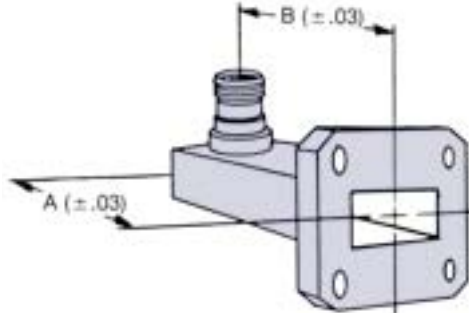


ADAPTER (waveguide to coax)

SPECIFICATIONS:



PART DESCRIPTION:

CMD offers a standard product line of precision rectangular waveguide-to-coax adapters constructed of aluminum or copper and covering the waveguide sizes WR - 22 thru WR - 430. VSWR over the full waveguide bandwidth is 1.10 typical for most models, or that of the coaxial connector selected. Additional sizes including reduced height, extended range, and custom design configurations are available on request.

Model No. *	Waveguide Size	Frequency Range (GHz)	Dimensions		Recommended Power Rating** Reference next page for detailed specification
			A	B	
RA22...	WR - 22	33.00 - 50.00	1.50	1.20	
RA28...	WR - 28	26.50 - 40.00	1.50	1.20	
RA34...	WR - 34	22.00 - 33.00	1.50	1.20	
RA42...	WR - 42	18.00 - 26.50	1.50	1.20	
RA51...	WR - 51	15.00 - 22.00	1.50	1.20	
RA62...	WR - 62	12.40 - 18.00	2.20	1.70	
RA75...	WR - 75	10.00 - 15.00	2.20	1.70	
RA90...	WR - 90	8.20 - 12.40	2.20	1.70	
RA102...	WR - 102	7.00 - 11.00	2.50	1.80	
RA112...	WR - 112	7.05 - 10.00	2.50	1.80	
RA137...	WR - 137	5.85 - 8.20	2.65	2.00	
RA159...	WR - 159	4.90 - 7.05	2.80	2.25	
RA187...	WR - 187	3.95 - 5.85	3.00	2.35	
RA229...	WR - 229	3.30 - 4.90	3.00	2.20	
RA284...	WR - 284	2.60 - 3.95	3.75	2.75	
RA284 R/H...	WR - 284 R/H	2.60 - 3.95	3.75	2.75	
RA340...	WR - 340	2.20 - 3.30	4.00	2.75	
RA430...	WR - 430	1.70 - 2.60	4.25	2.75	

* Indicates Model Number. See ORDERING DATA for complete part number.

ORDERING DATA:

MODEL NUMBER:	TYPICAL PART NO. – (example)	RA90 - SMA - M - 1A - A
CONNECTOR STYLE:	3.5mm-2.4mm-SMA-TNC-N-7mm-K-SC	
CONNECTOR TYPE:	M - MALE F - FEMALE	
FLANGE:	See data sheet number DS-101.	
MATERIAL:	A - ALUMINUM C - COPPER	
FINISH:	CORROSION PROTECTION PLUS SILVER GREY EPOXY TOP COAT	

- WR - 22 available in copper only.
- Alternate finish available on request.
- Flange configurations other than noted available upon request.
- Standard unit provided not sealed pressure tight unless otherwise specified.
- ** Power Rating dependent on connector selection.



Continental Microwave Division

DS-110A

11-06

11 Continental Drive • Exeter, NH 03833 • Tel: 603-775-5200 • Fax: 603-775-5201