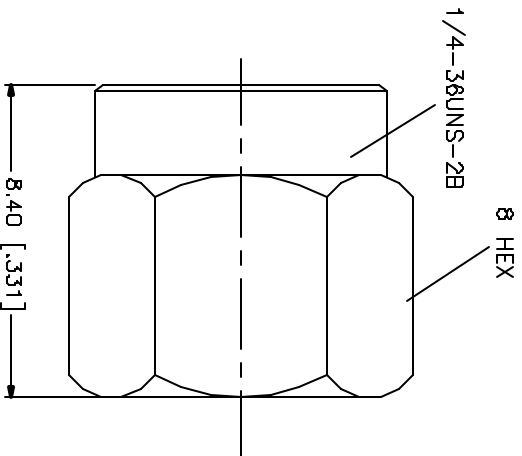


| REV. | DATE     | DESCRIPTION                       |
|------|----------|-----------------------------------|
| NC   | 11/19/03 | INITIAL RELEASE                   |
| A    | 01/17/05 | UPDATE RESISTOR WATTAGE - 2 WATTS |



| QTY | FINISH      | MATERIAL | DESCRIPTION |
|-----|-------------|----------|-------------|
| 2   | 2 WATT - 1% | 100R     | RESISTOR    |
| 1   | GOLD        | BRASS    | CONTACT PIN |
| 1   | NATURAL     | TEFLON   | INSULATOR   |
| 1   | GOLD        | BRASS    | BODY        |
|     |             |          | DESCRIPTION |

| APPROVALS     | DATE     |
|---------------|----------|
| DESIGN G.R.S. | 01/17/05 |
| CHECKED       |          |
| ISSUED        |          |
| BUILT 1 OF 1  |          |

|  |                                       |                            |               |               |                 |
|--|---------------------------------------|----------------------------|---------------|---------------|-----------------|
| <p>UNLESS OTHERWISE SPECIFIED, DIMENSIONS ARE IN MILLIMETERS. DIMENSIONS IN [ ] ARE IN INCHES AND ARE QUOTED FOR REFERENCE ONLY.</p> <p>UNLESS OTHERWISE SPECIFIED, DIMENSIONS FOR THIS DRAWING ARE:</p> <p>D5 - 8mm ± 0.20mm<br/>B - 50mm ± 0.40mm<br/>SØ - 120mm ± 0.50mm</p> <p>UNLESS OTHERWISE SPECIFIED, DIMENSIONS FOR THIS DRAWING ARE:</p> <p>.020 - ± 0.007"<br/>.315 - ± 0.013"<br/>1.180 - ± 0.020"<br/>1.180 - 4.724 = ± 0.020"</p> <p>DO NOT SCALE DRAWING</p> | <p>CAD FILE<br/>C:/132/132360.DWG</p> | <p>DWG. NO. 132360.DWG</p> | <p>REV. A</p> | <p>SIZE A</p> | <p>SCALE NA</p> |
|--|---------------------------------------|----------------------------|---------------|---------------|-----------------|

|  |  |
|--|--|
| <p><b>Amphenol</b> <b>Comnex</b></p>                         |  |
| <p>PART DESCRIPTION<br/>SMA TERMINATOR PLUG<br/>(50 ohm)</p> |  |
| <p>PART NO. 132360</p>                                       |  |