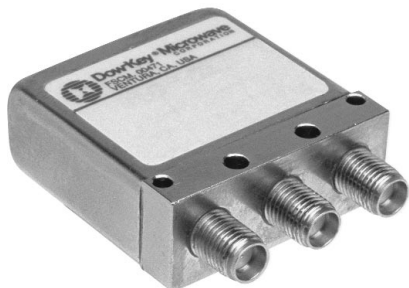


RF Characteristics



Frequency GHz	VSWR (max)	Isolation dB (min)	Ins. Loss dB (max)
0-1	1.10	85	0.10
1-4	1.15	80	0.15
4-8	1.20	70	0.20
8-12	1.30	65	0.30
12-18	1.35	60	0.35
*18-26.5	1.50	55	0.50

* "K" option only. Ex: 401K-2208

Note: Typical performance dependent on selected options

401 Series SPDT Failsafe, SMA

Specifications

Operating Voltage:

(across temperature range)
 12 Vdc (11-14 Vdc)
 28 Vdc (24-32 Vdc)

Coil Current (max @ nom.Vdc & 20°C):

12 Vdc 195 mA
 28 Vdc 95 mA

Switching Time:

15 mS maximum

Operating Temperature:

-25°C to +65°C (Standard)
 -55°C to +85°C (Extended "T" Option)

Mechanical Life, Cycles:

1,000,000 minimum

Vibration, Operating:

10G RMS, 20-2000 Hz

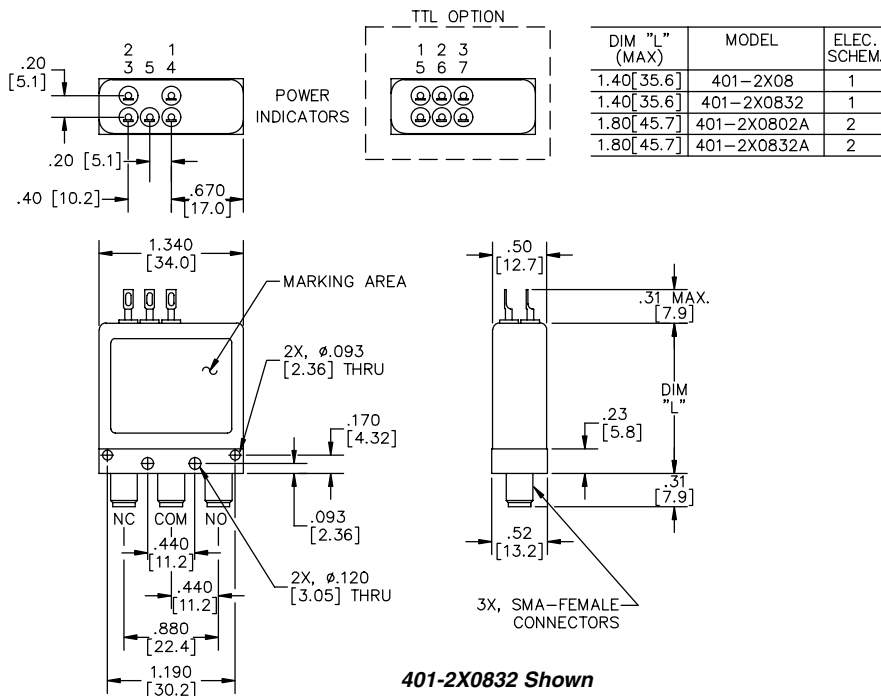
Mechanical Shock, Non-Operating:

50G, 1/2 Sine, 11mS

Nominal Weight:

2.5 oz., (71g.)

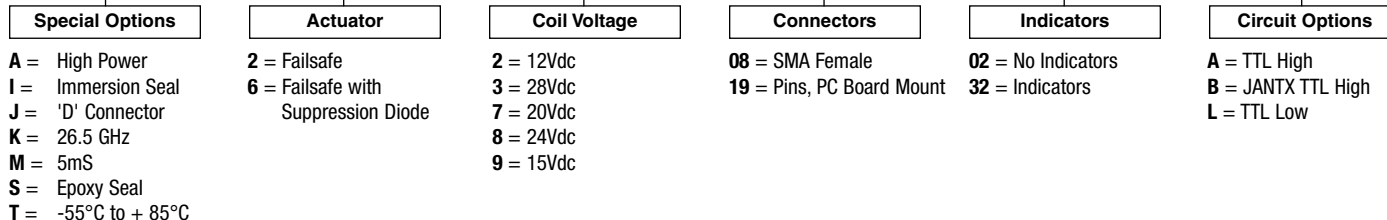
Mechanical



Part Number Selection

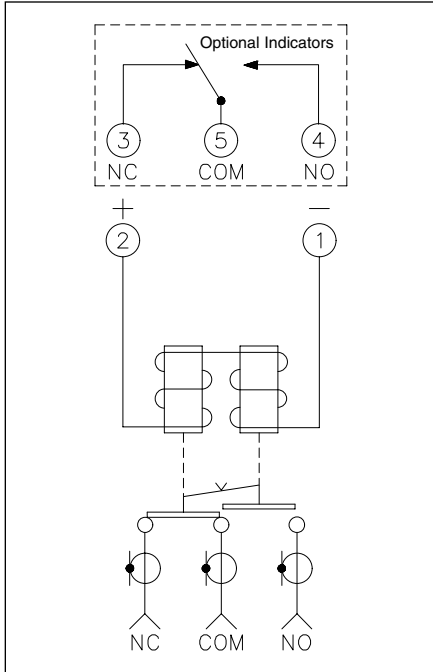
For Electrical Schematic see page # 1-5

401 J - 2 2 08 02 A

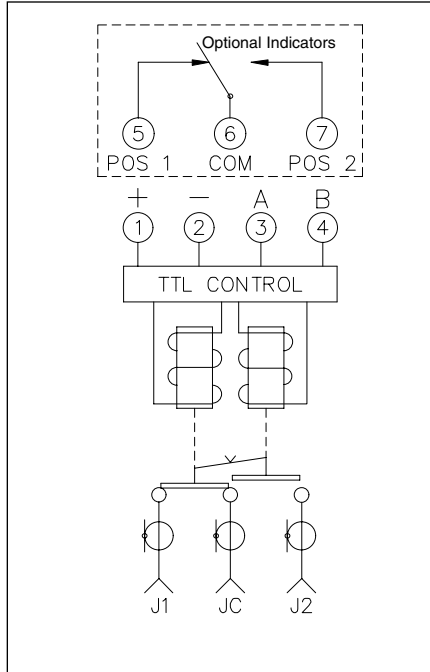




1 401/403 Failsafe



2 401/403 Failsafe TTL



LOGIC TRUTH TABLE

FAILSAFE TTL - SCH #2

LOGIC TRUTH TABLE		
RF PATH	INDICATOR PATH	LOGIC INPUT "A"
NC-COM	NC-COM	0
NO-COM	NO-COM	1

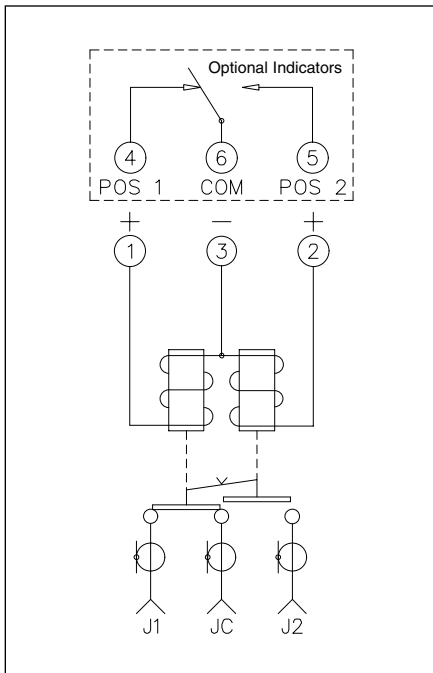
"0" = 0.0V-0.8V
 "1" = 2.4V-5.5V

SELF CUTOFF TTL - SCH #5

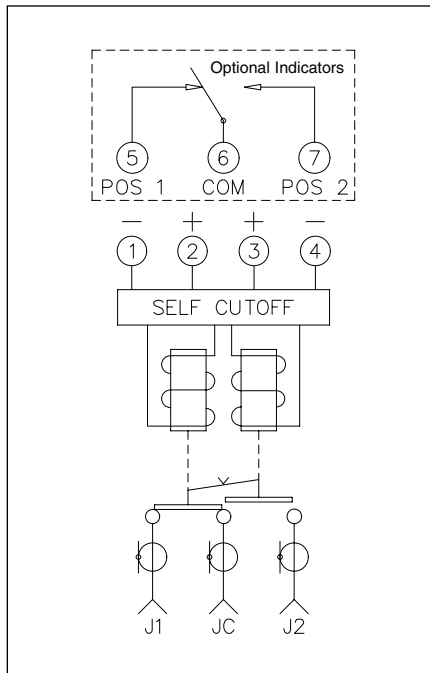
LOGIC TRUTH TABLE			
RF PATH	INDICATOR PATH	LOGIC INPUT "A"	LOGIC INPUT "B"
JC-J1	COM-1	1	0
JC-J2	COM-2	0	1

"0" = 0.0V-0.8V
 "1" = 2.4V-5.5V

3 401 Pulse Latch



4 401 Self Cutoff



5 401 Self Cutoff TTL

