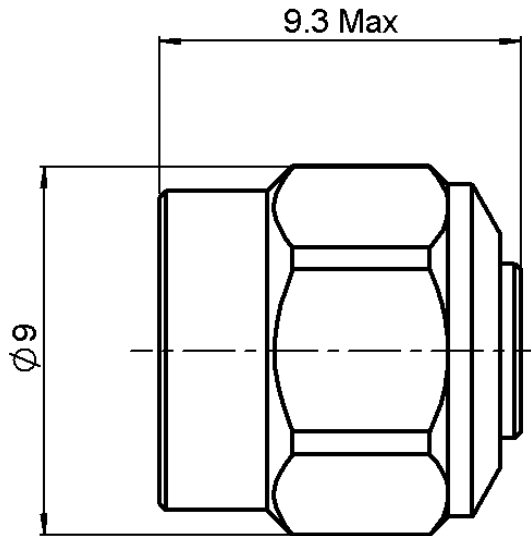


COAXIAL TERMINATION SMA MALE

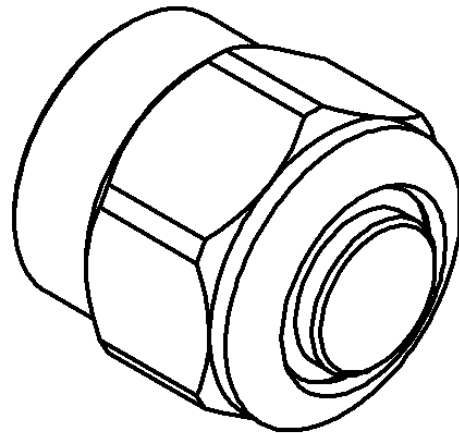
1W 4GHZ PACK 500

R404.101.000

Series :
TERMINATION



Packaging by : 500
Single packaging : W option
Other : Contact us



Scale 1/1

dimensions are in mm.



| COMPONENTS | MATERIALS | PLATINGS (μm) |
|-----------------------|-----------------|----------------------------|
| BODY | BRASS | NICKEL 2 |
| CENTER CONTACT | BRASS | GOLD 0.5 OVER NICKEL 2 |
| OUTER CONTACT | | |
| INSULATOR | PTFE | |
| GASKET | SILICONE RUBBER | |
| OTHERS PARTS | STAINLESS STEEL | |

Issue : 0244 01

In the effort to improve our products, we reserve the right to make changes judged to be necessary.



COAXIAL TERMINATION SMA MALE**1W 4GHZ PACK 500****R404.101.000**Series :
TERMINATION**ELECTRICAL CHARACTERISTICS**

| Frequency | DC-1 GHz | 1-4 GHz | GHz | GHz | GHz |
|-----------|----------|---------|-----|-----|-----|
| V.S.W.R | ≤ 1.08 | ≤ 1.20 | ≤ | ≤ | ≤ |

| | |
|-----------------------|-------|
| Impedance | 50 Ω |
| Average power at 25°C | 1 W |
| Peak power at 25°C | 100 W |

MECHANICAL CHARACTERISTICS

| | |
|------------|-------------------------|
| Connectors | SMA Male for MIL C39012 |
| Weight | 0.767 g |

ENVIRONMENTAL

| | |
|-----------------------------|-------------|
| Operating temperature range | -55/+125 °C |
| Storage temperature range | -55/+125 °C |

SPECIFICATION**OTHER CHARACTERISTICS****Issue : 0244 01**

In the effort to improve our products, we reserve the right to make changes judged to be necessary.

