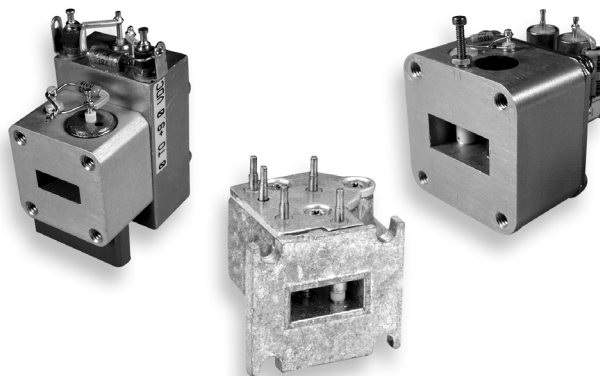


# Voltage Controlled Transceivers

## Features

- Frequency Control
- Input Voltage Available as CW or Pulsed
- High Doppler Sensitivity Levels
- Low AM and FM Noise Levels
- Direction-of-Motion Sensing
- High-Volume Design
- Compact Size



## Applications

- FM Doppler Radar Systems
- Altimeters
- Police Radars
- Intrusion Alarm Systems
- Traffic Control Systems
- Industrial Control
- Direction Monitoring
- Amateur Communications
- Automotive Collision Avoidance Systems

## Description

These voltage controlled transceivers are designed to provide an affordable, frequency-modulated microwave power at a discrete frequency. The varactor tuning of the transceiver permits carrier frequency modulation for ranging information.

## Specifications @ 25°C

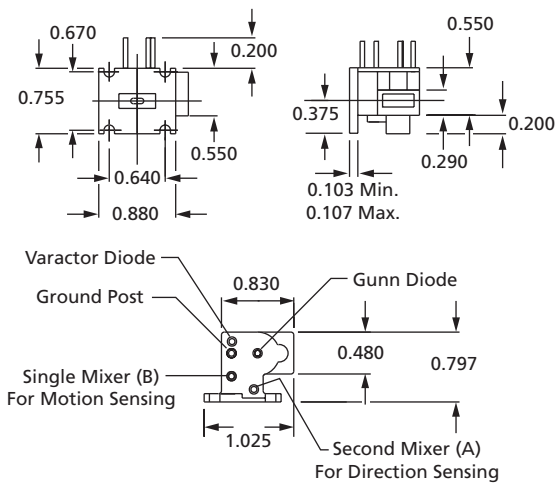
Model Number	Description	Operating Voltage (V <sub>DC</sub> )	Output Power (mW)	Operating Current (mA)	Frequency Drift/ Temperature (KHz/°C)	Electronic Tuning Range (V <sub>DC</sub> )	Electronic Tuning (MHz)	Nominal Sensitivity (dBc)
<b>X Band Voltage Controlled Transceivers</b>								
MO87127-1	Built-In Ferrite Circulator	+8 to +10	10	200	400	+1 to +20	40	-110
MO87127-2	Built-In Ferrite Circulator	+8 to +10	20	600	400	+1 to +20	40	-110
MO87127-3	Built-In Ferrite Circulator	+8 to +10	35	600	400	+1 to +20	40	-110
<b>K Band Voltage Controlled Transceivers</b>								
MO9071		+5	5	150	1000	+1 to +20	50	-90
MO9072	Dual IF Output	+5	5	150	1000	+1 to +20	50	-90
MO87849		+5 to +8	5	400	500	+0.5 to +20	150	-95
MO87930	Broadband Electronic Tuning	+5 to +8	5 to 10	400	500	0 to +9	350	-95

X band frequency = 10.300 GHz.  
 K band frequency = 24.125 GHz.  
 Other frequencies and power levels available upon request.

Maximum operating temperature is -30°C to +70°C.  
 Maximum storage temperature is -40°C to +85°C.

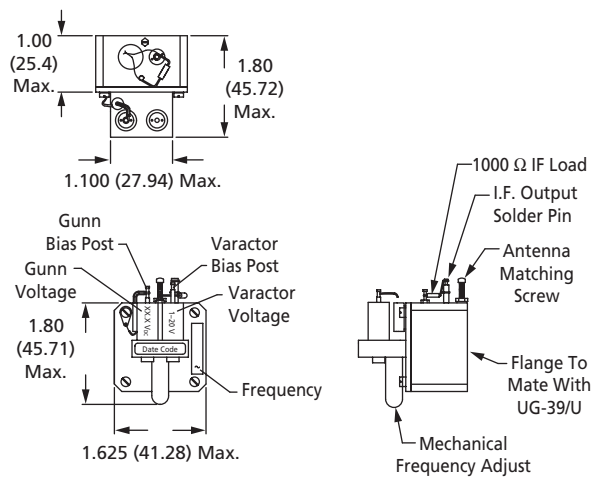
# Voltage Controlled Transceivers

## MO9072



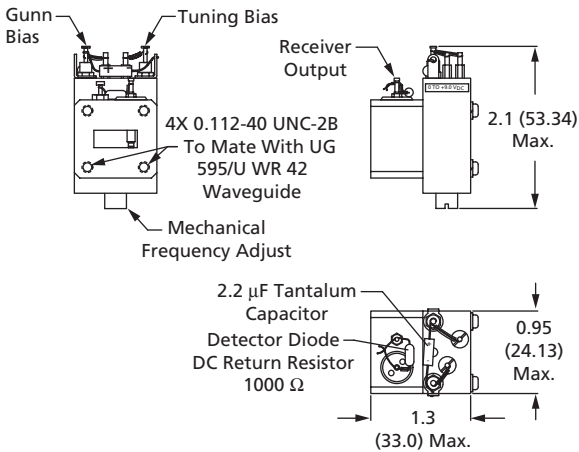
Dimensions are in inches (mm).

## MO87127-1 thru 3



Dimensions are in inches (mm).

## MO87930



Dimensions are in inches (mm).