

# ATTENUATORS

## TYPE N

up to 4 GHz

200 Watts



MODELS: XN200W-XX, XN200W-XXF XN200W-XXM

### SPECIFICATIONS:

#### Electrical:

Frequency Range \_\_\_\_\_ DC - 4.0 GHz  
 Standard Freq. Values \_\_\_\_\_ 1.5, 2.5, & 4 GHz  
 Standard dB Values\* \_\_\_\_\_ 3, 6, 10, 20, 30 & 40 dB  
 Attenuation Accuracy DC - 1.5 GHz 1.5 - 2.5 GHz 2.5 - 4 GHz  
 3 - 6 dB \_\_\_\_\_ ±0.50 dB \_\_\_\_\_ ±0.50 dB \_\_\_\_\_ ±0.75 dB  
 10 - 40 dB \_\_\_\_\_ ±0.75 dB \_\_\_\_\_ ±1.0 dB \_\_\_\_\_ ±1.5 dB  
 VSWR (Max.) \_\_\_\_\_ 1.15:1 \_\_\_\_\_ 1.25:1 \_\_\_\_\_ 1.35:1  
 Input Power \_\_\_\_\_ 200 Watts Avg. @ +25°C  
 \_\_\_\_\_ Derated Linearly to 40 Watts @ +125°C  
 Peak Power \_\_\_\_\_ 5 kW Max.  
 \_\_\_\_\_ (5uSec Pulse, .05% Duty Cycle)  
 Impedance \_\_\_\_\_ 50 Ohms  
 Operating Temp Range \_\_\_\_\_ -54°C to +125°C

#### Mechanical:

Type N Connectors \_\_\_\_\_ Passivated Stainless Steel  
 \_\_\_\_\_ Mates with MIL-STD-348  
 Conductors \_\_\_\_\_ Gold Plated Beryllium Copper  
 Housing \_\_\_\_\_ Anodized Aluminum

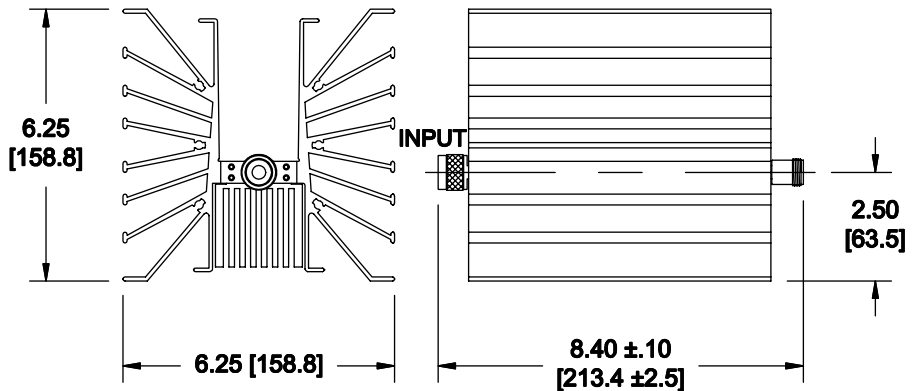
Units must be Positioned in such a way as to Allow for Free Air Flow Around fins to Assure Performance

Model Number: **XN200W-XX**  
 Male/Female Connectors  
 Length: 8.40 ±.10 [213.4 ±2.5]  
 Pictured

Model Number: **XN200W-XXF**  
 Female/Female Connectors  
 Length: 8.48 ±.10 [215.4 ±2.5]

Model Number: **XN200W-XXM**  
 Male/Male Connectors  
 Length: 8.31 ±.10 [211.1 ±2.5]

Note: Units are Unidirectional, Therefore Input Connector MUST be Specified & will be Indicated on Unit



### HOW TO ORDER:

Model Number: **XN200W-XXY**

Freq. Range \_\_\_\_\_  
 1 = DC - 1.5 GHz  
 2 = DC - 2.5 GHz  
 4 = DC - 4 GHz

Connector Configuration = Male/Female  
 F = Fem/Fem  
 M = Male/Male

\_\_\_\_\_ dB Value

### Ordering Examples:

Model Number: **1N200W-10**  
 DC - 1.5 GHz, 10 dB; Type N - Male/Fem

Model Number: **4N200W-40F**  
 DC - 4 GHz, 40 dB; Type N - Fem/Fem

Model Number: **2N200W-30M**  
 DC - 2.5 GHz, 30 dB; Type N - Male/Male

Note: Dimensions in Brackets are Expressed in Millimeters and are for Reference Only.  
 \*Other dB values available

XN200W-ATT; REV B