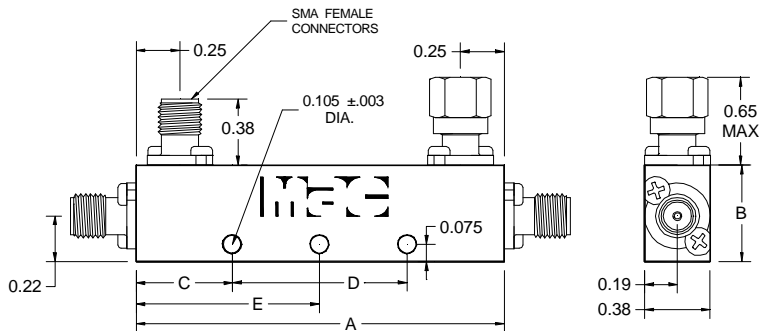


# MAC Technology Inc. OCTAVE BAND DIRECTIONAL COUPLERS

## C3200 SERIES

FREQUENCY RANGE [GHz]	MODEL NUMBER	COUPLING* [dB]	FREQ. SENSITIVITY [±dB]	INSERTION LOSS [dB MAX]		DIREC-TIVITY [dB Min]	VSWR [MAX]		POWER [WATTS MAX]			OUT-LINE
				EXCLUDING COUPLED POWER	TRUE		PRI. LINE	SEC. LINE	AVERAGE INCIDENT	AVERAGE REFLECTED	PEAK	
0.5-1	C3202-6	6 ±1.00	0.6	0.20	1.80	25	1.15	1.15	50	2	3K	1
	C3202-10	10 ±1.25	0.75	0.20	0.80	25	1.10	1.10	50	5	3K	1
	C3202-20	20 ±1.25	0.75	0.15	0.20	25	1.10	1.10	50	50	3K	1
	C3202-30	30 ±1.25	0.75	0.15	0.20	25	1.10	1.10	50	50	3K	2
1-2	C3203-6	6 ±1.00	0.6	0.20	1.80	25	1.15	1.15	50	2	3K	3
	C3203-10	10 ±1.25	0.75	0.20	0.80	25	1.10	1.10	50	5	3K	3
	C3203-20	20 ±1.25	0.75	0.15	0.20	25	1.10	1.10	50	50	3K	3
	C3203-30	30 ±1.25	0.75	0.15	0.20	25	1.10	1.10	50	50	3K	4
2-4	C3204-6	6 ±1.00	0.6	0.20	1.80	22	1.15	1.15	50	2	3K	5
	C3204-10	10 ±1.25	0.75	0.20	0.80	22	1.15	1.15	50	5	3K	5
	C3204-20	20 ±1.25	0.75	0.15	0.20	22	1.15	1.15	50	50	3K	5
	C3204-30	30 ±1.25	0.75	0.15	0.20	22	1.15	1.15	50	50	3K	6
2.6-5.2	C3245-6	6 ±1.00	0.6	0.20	1.80	20	1.25	1.25	50	2	3K	7
	C3245-10	10 ±1.25	0.75	0.20	0.80	20	1.25	1.25	50	5	3K	7
	C3245-20	20 ±1.25	0.75	0.20	0.25	20	1.25	1.25	50	50	3K	7
	C3245-30	30 ±1.25	0.75	0.20	0.20	20	1.25	1.25	50	50	3K	8
4-8	C3205-6	6 ±1.00	0.6	0.25	1.90	20	1.25	1.25	50	2	3K	7
	C3205-10	10 ±1.25	0.75	0.25	0.90	20	1.25	1.25	50	5	3K	7
	C3205-20	20 ±1.25	0.75	0.25	0.30	20	1.25	1.25	50	50	3K	7
	C3205-30	30 ±1.25	0.75	0.25	0.25	20	1.25	1.25	50	50	3K	8
7-12.4	C3206-6	6 ±1.00	0.5	0.30	2.00	17	1.30	1.30	50	2	3K	7
	C3206-10	10 ±1.00	0.5	0.30	1.00	17	1.30	1.30	50	5	3K	7
	C3206-20	20 ±1.00	0.5	0.30	0.35	17	1.30	1.30	50	50	3K	7
	C3206-30	30 ±1.00	0.5	0.30	0.30	17	1.30	1.30	50	50	3K	8
7.5-16	C3267-6	6 ±1.00	0.6	0.60	2.20	15	1.35	1.40	50	2	2K	7
	C3267-10	10 ±1.25	0.75	0.60	1.20	15	1.35	1.40	50	5	2K	7
	C3267-20	20 ±1.25	0.75	0.60	0.55	15	1.35	1.40	50	50	2K	9
	C3267-30	30 ±1.25	0.75	0.60	0.50	15	1.35	1.40	50	50	2K	9
12.4-18	C3207-6	6 ±1.00	0.5	0.60	2.20	12	1.35	1.40	50	2	1K	7
	C3207-10	10 ±1.00	0.5	0.60	1.20	12	1.35	1.40	50	5	1K	7
	C3207-20	20 ±1.00	0.5	0.50	0.55	15	1.35	1.40	50	50	1K	9
	C3207-30	30 ±1.00	0.5	0.50	0.50	15	1.35	1.40	50	50	1K	9

\* includes frequency sensitivity. Specifications subject to change without notice.



OUTLINE	A	B	C	D	E
1	3.10	0.50	0.80	1.50	-
2	3.10	0.55	0.80	1.50	-
3	1.78	0.50	0.42	0.94	-
4	1.78	0.55	0.42	0.94	-
5	1.16	0.50	0.41	0.34	-
6	1.16	0.55	0.41	0.34	-
7	1.00	0.50	-	-	0.50
8	1.00	0.55	-	-	0.50
9	1.00	0.60	-	-	0.50



MAC Technology Inc.  
 3104 South Side Bypass  
 email: mactech@kfalls.net  
 Klamath Falls, OR 97603  
 Tel: 541-883-3352, 800-428-0341  
 Fax: 541-884-2752, 800-344-0846  
 email: mactech@kfalls.net