

ATTENUATORS

Type N, 50 Watts, up to 18 GHz

SPECIFICATIONS:

Models: XXN50W-XX, XXN50W-XXF & XXN50W-XXM

RoHS
Compliant

AEROFLEX
A passion for performance.

Electrical:

Frequency Range _____ DC - 18.0 GHz
 Standard Freq. Values _____ 6 & 18 GHz
 Standard dB Values* _____ 3, 6, 10, 20, 30 & 40 dB
 Attenuation Accuracy DC - 6 GHz 6 - 12.4 GHz 12.4 - 18 GHz
 3, & 6 dB _____ ±0.75 dB ±0.75 dB ±0.75 dB
 10 & 20 dB _____ ±0.75 dB ±0.75 dB ±1.00 dB
 30 dB _____ ±0.75 dB ±1.00 dB ±1.25 dB
 40 dB _____ ±1.00 dB ±1.25 dB ±1.50 dB

VSWR

DC - 6 GHz _____ 1.25:1 Max.
 6 - 12.4 GHz _____ 1.35:1 Max.
 12.4 - 18 GHz _____ 1.45:1 Max.

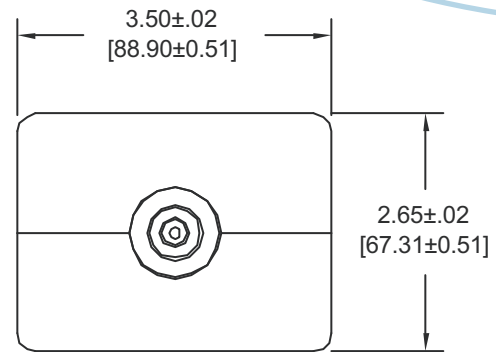
Input Power _____ 50 Watts Avg. @ 25°C
Derated Linearly to 10 Watts @ +125°C

Peak Power _____ 500 Watts Max.
(5µSec Pulse, .05% Duty Cycle)

Impedance _____ 50 Ohms
 Operating Temp Range _____ -65°C to +125°C

Mechanical:

Type N Connectors _____ Passivated Stainless Steel
Mates with MIL-STD-348
 Conductors _____ Gold Plated Beryllium Copper
 Housing _____ Anodized Aluminum



END VIEW
TYPICAL

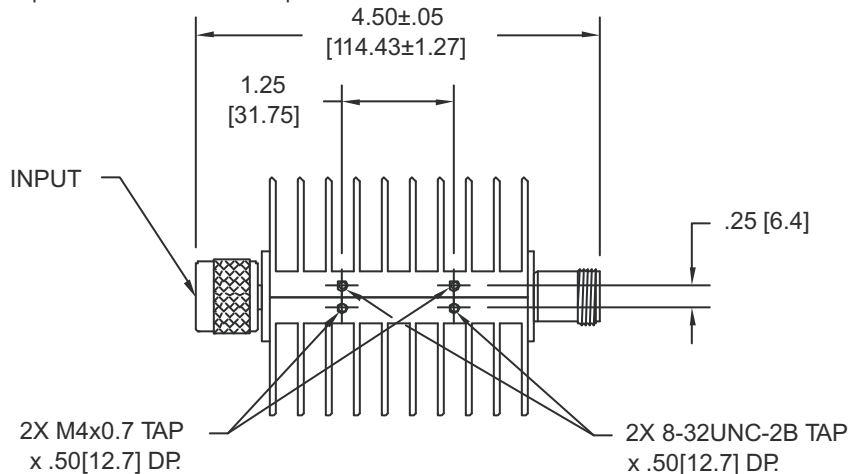
Units must be Mounted in such a way as to Allow for Free Air Flow Around fins to Insure Performance

Note: Units are Unidirectional, Therefore Input Connector MUST be Specified & will be Indicated on Unit

Model Number: **XXN50W-XX**
 Male/Female Connectors
 Length: 4.50 ±.05 [114.2 ±1.3]
 Pictured

Model Number: **XXN50W-XXF**
 Female/Female Connectors
 Length: 4.58 ±.05 [116.2 ±1.3]

Model Number: **XXN50W-XXM**
 Male/Male Connectors
 Length: 4.41 ±.05 [112.0 ±1.3]



HOW TO ORDER:

Model Number: **XXN50W-XXY**

Freq. Range 6 = DC - 6 GHz 18 = DC - 18 GHz	Connector Configuration = Male/Female (Male Input) F = Fem/Fem M = Male/Male FM = Female/Male (Female Input)
dB Value	

Ordering Examples:

Model Number: **18N50W-20**
 DC - 18 GHz; 20 dB; Type N - Male/Fem (Male Input)

Model Number: **6N50W-02F**
 DC - 6 GHz; 2 dB; Type N - Fem/Fem

Model Number: **6N50W-02FM**
 DC - 6 GHz; 2 dB; Type N - Fem/Male (Female Input)

Note: Dimensions in Brackets are Expressed in Millimeters and are for Reference Only.
 Design specifications are subject to change without notice.
 Contact factory for technical specifications before purchasing or use.

XXN50W-XX: REV F (M)

AEROFLEX
INMET

Aeroflex / Inmet, Inc. • 300 Dino Drive, Ann Arbor, MI 48103 • U.S.A.
 888-244-6638 or 734-426-5553 • FAX: 734-426-5557
 www.aeroflex-inmet.com • inmet-sales@aeroflex.com